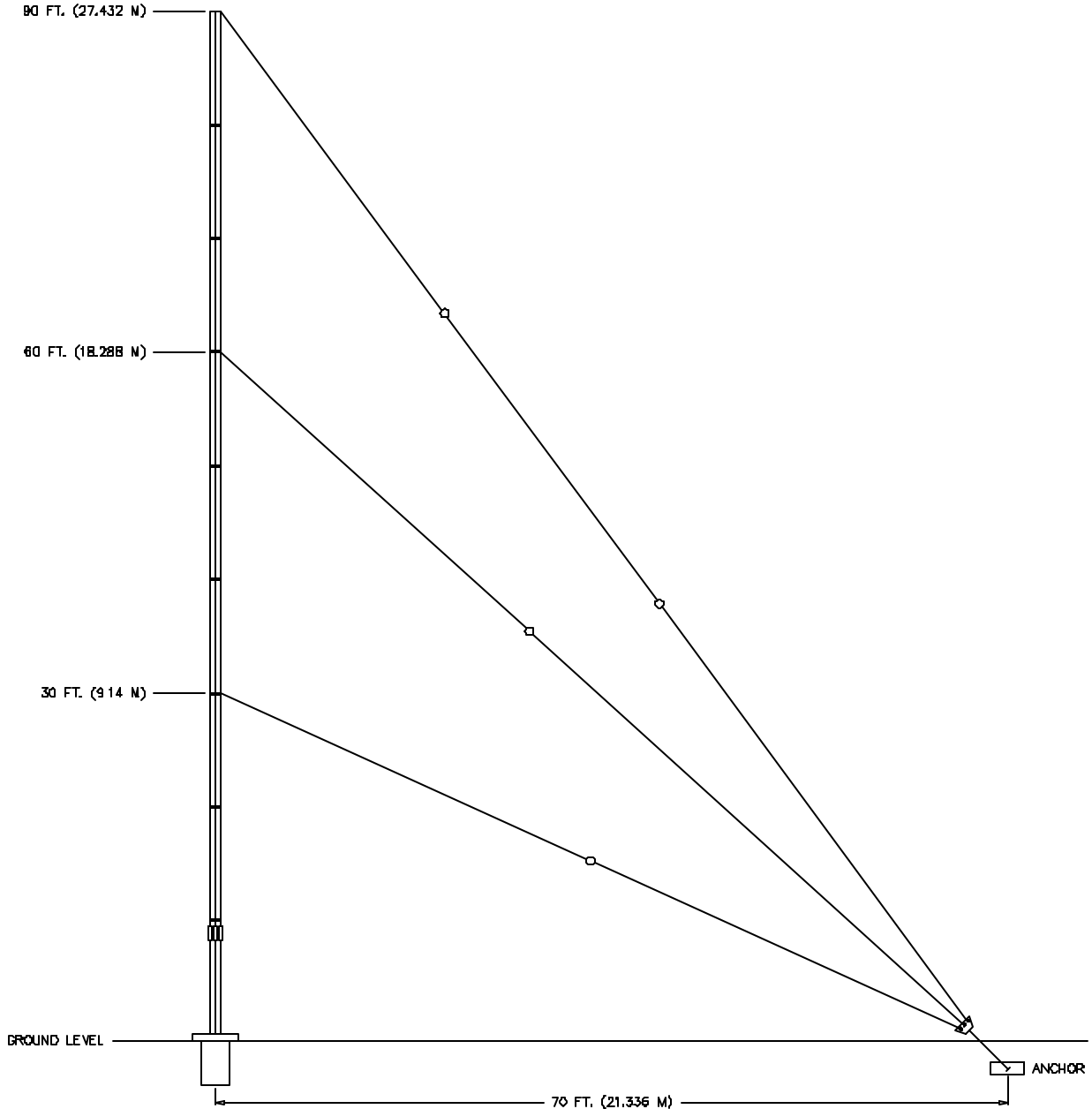
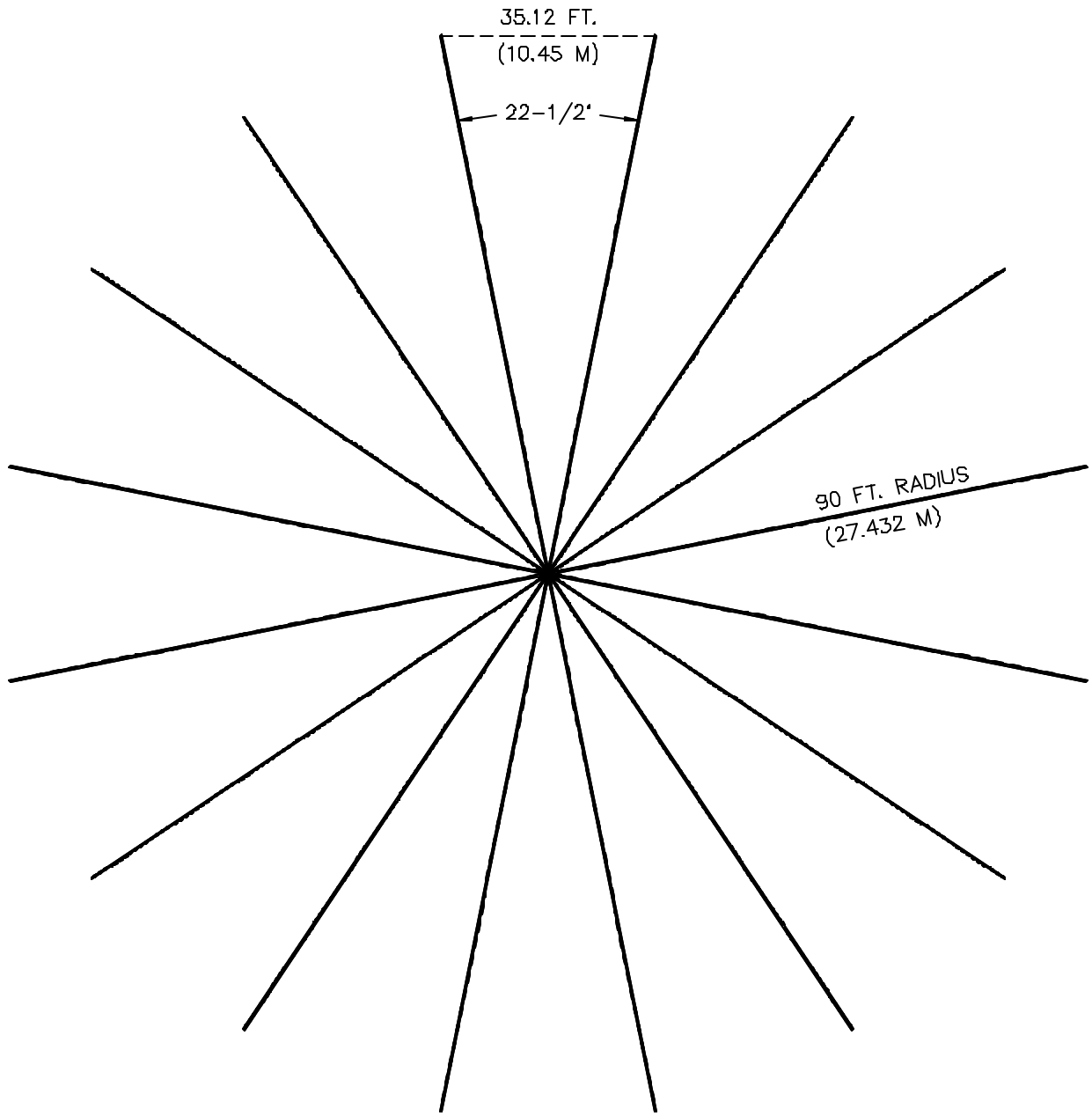




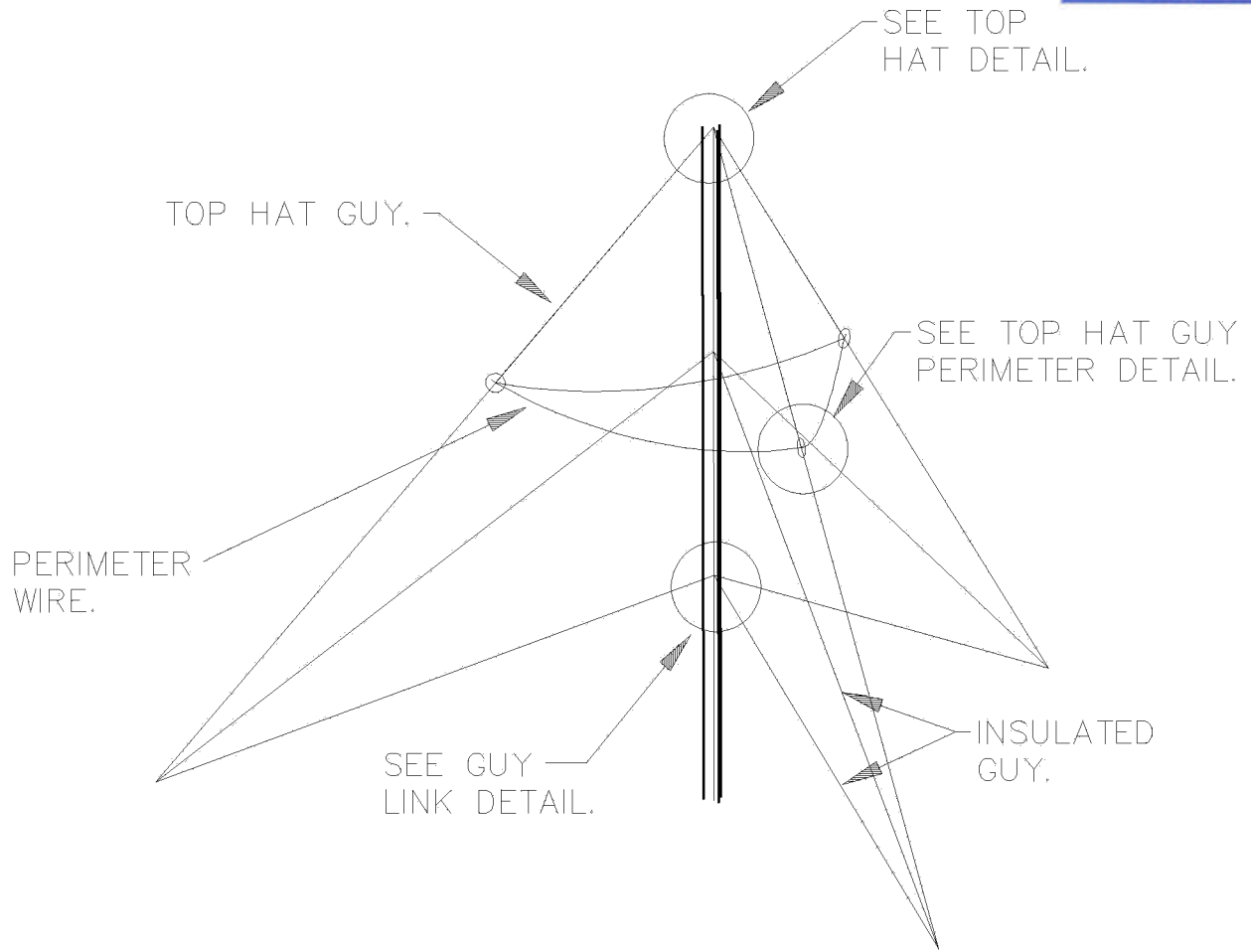
Southern Avionics Company's 90 Foot High Power Guyed Mast Antenna

90 Foot High Power Guyed Mast Antenna: Consists of 90' (27.4M) of hot dipped galvanized triangular lattice tower. Includes four sets of insulated guy wire assemblies, earth anchors, and all associated hardware and tackle. Power rating up to 1600 watts peak power from 190 to 535 KHz. The antenna system also includes a sixteen radial ground system with wire, ground rods, clamps and associated hardware. P/N SLF10005.

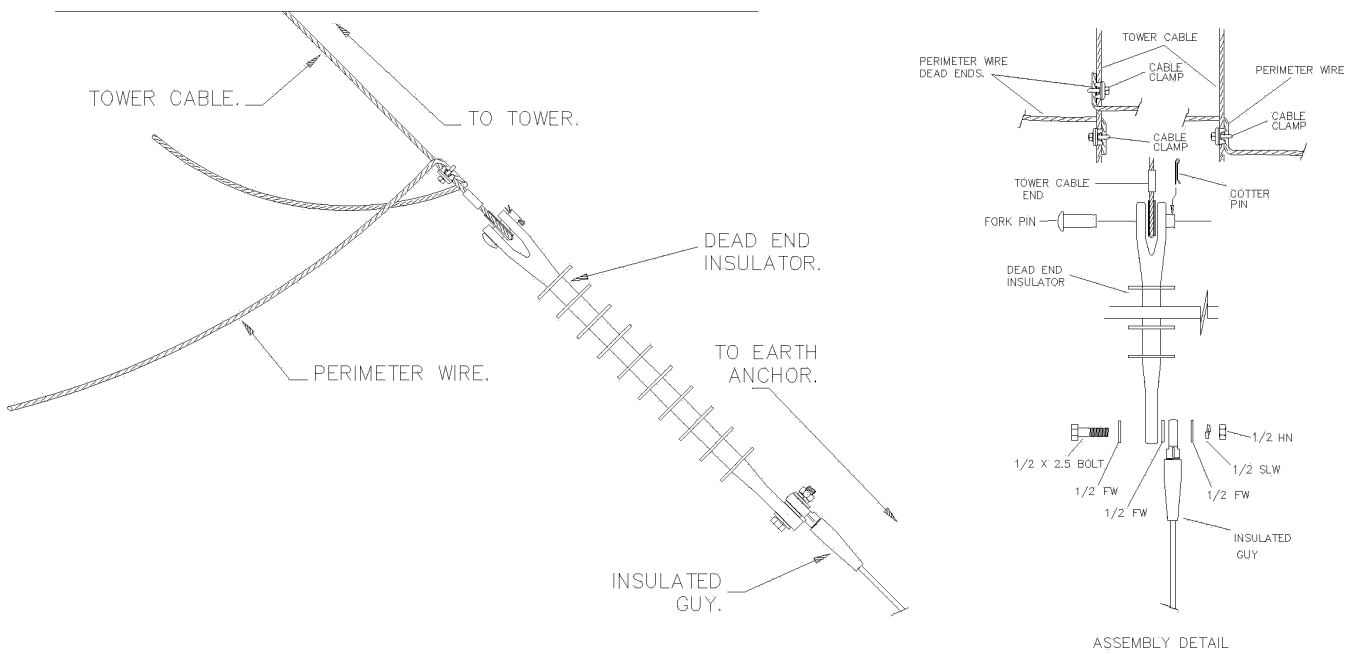
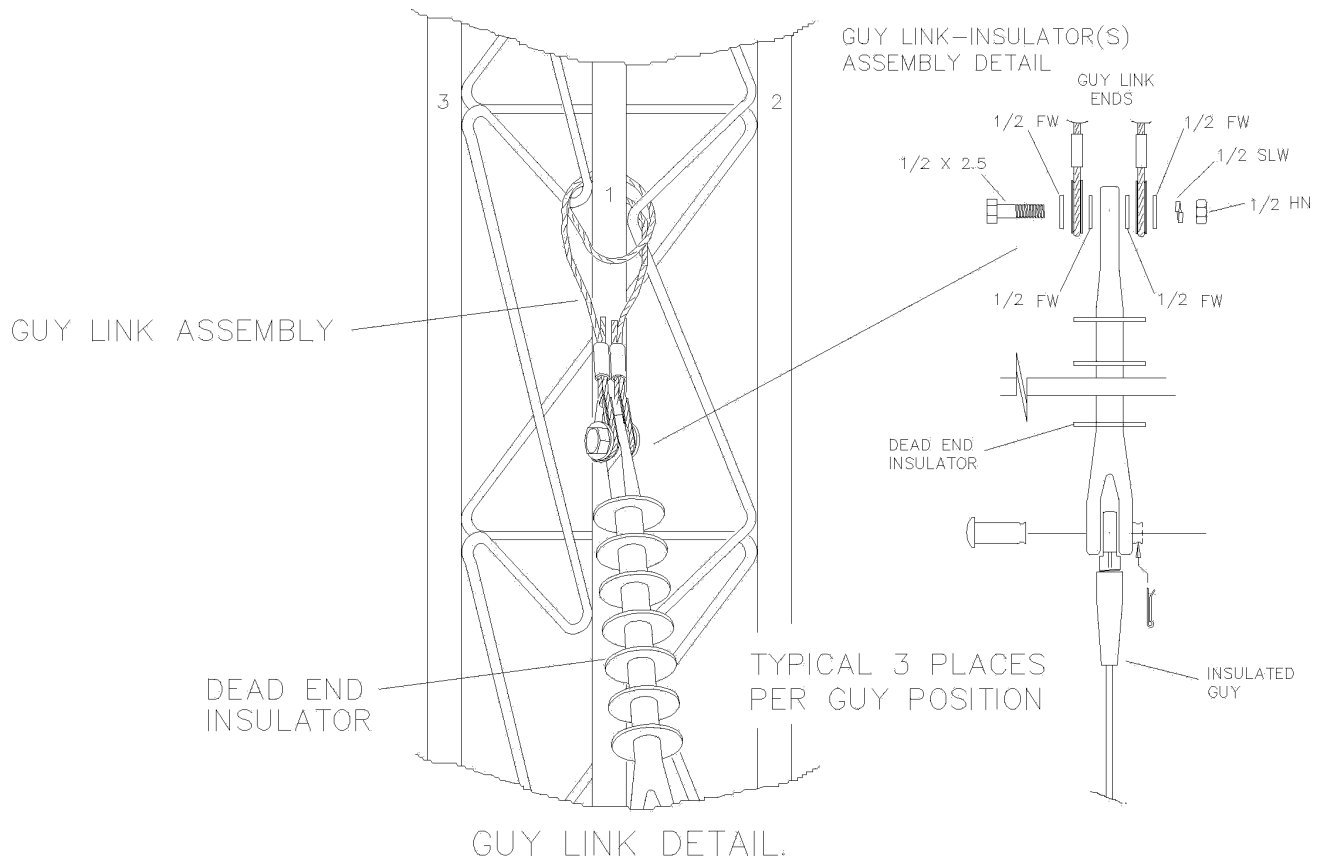


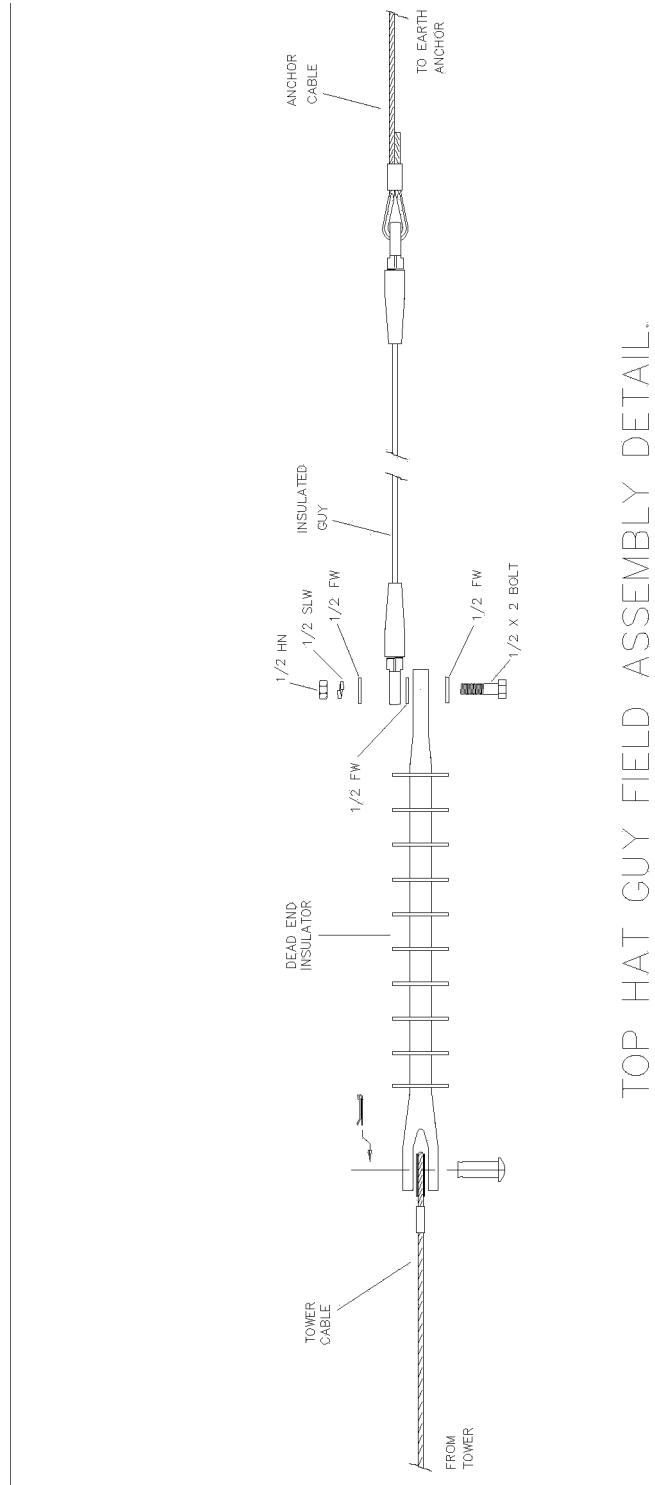


COUNTERPOISE



ISOMETRIC VIEW.





TOP HAT GUY FIELD ASSEMBLY DETAIL.