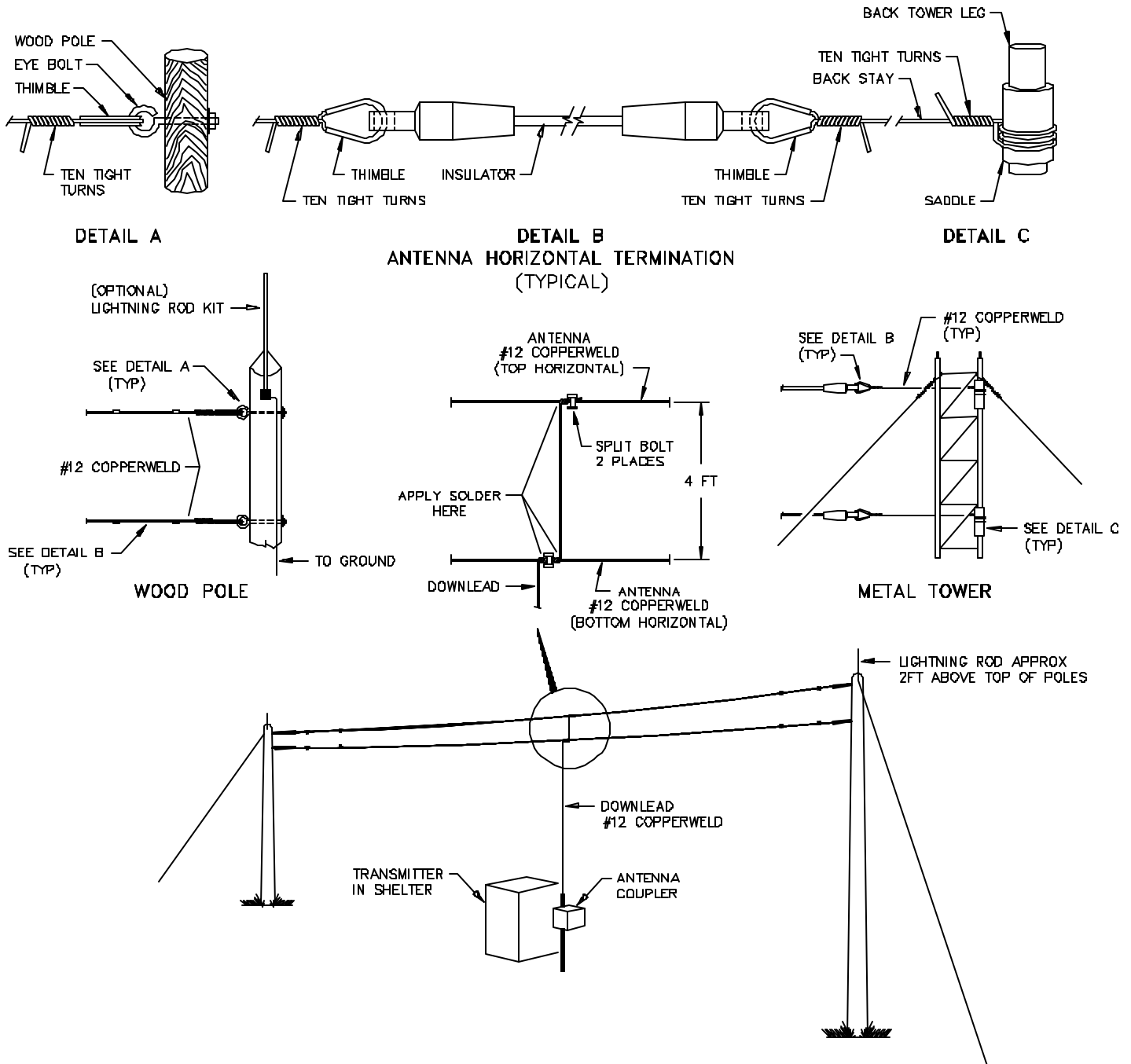
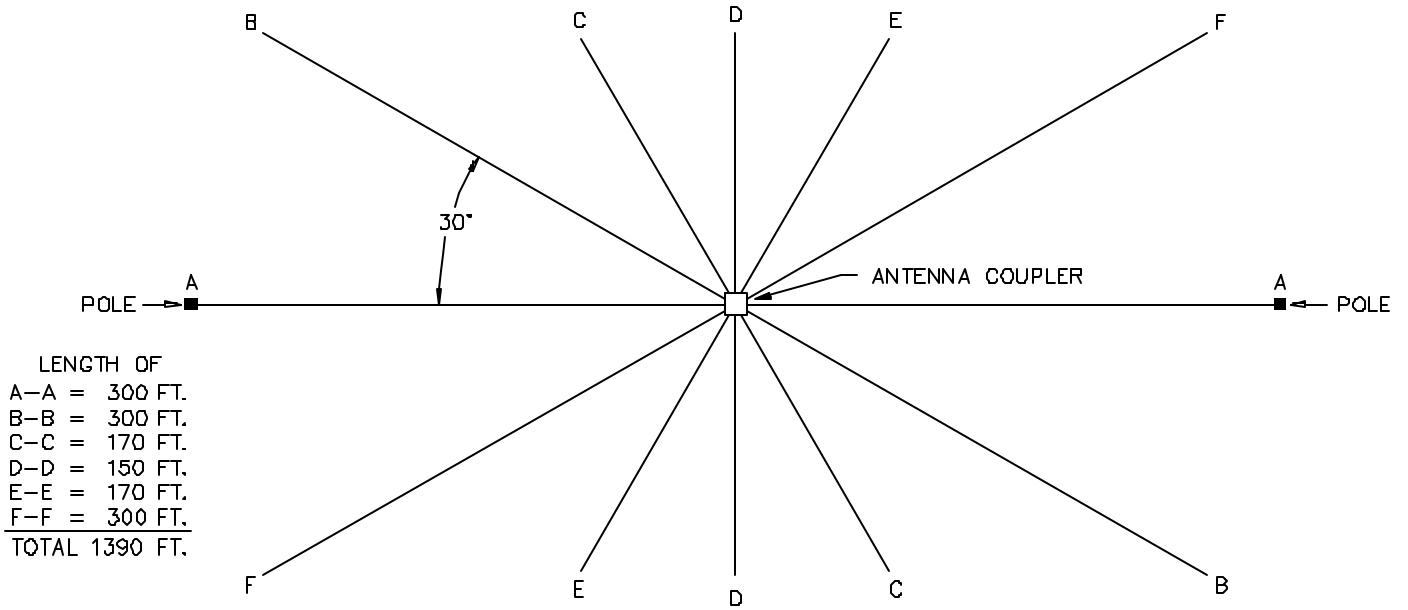




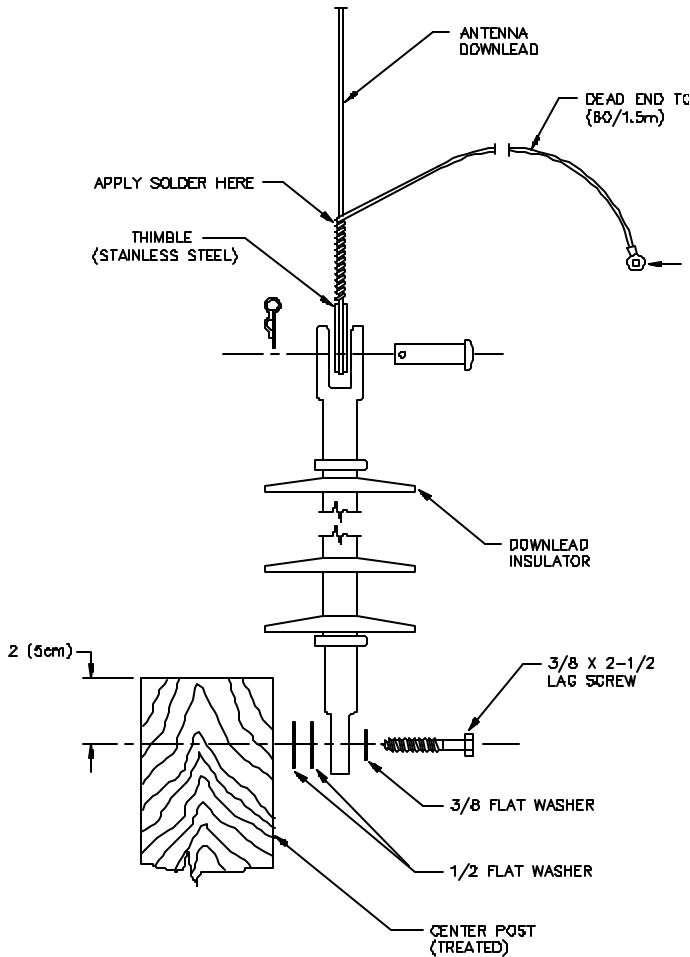
Southern Avionics[®] Company's Symmetrical "T" Antenna System.



The standard 90 foot Symmetrical "T" Antenna is supported by wood poles or metal towers with an above ground level height of 80 to 90 feet. SAC can supply metal towers complete with guys and all hardware for the standard 90 foot antenna. The transmitter and coupler can be mounted on a wooden post beneath the antenna down lead, or the transmitter can be installed under the antenna down lead in a SAC shelter with the coupler mounted on a wooden post, or the transmitter can be installed several hundred feet away with the coupler mounted on a wooden post under the antenna down lead.



The counterpoise system should be laid out as shown above. The dimensions above are not critical in normal soil and may be altered slightly is necessary. 1500 feet of #10 bare solid copper wire is supplied, which is more than sufficient for the standard counterpoise system.



The Symmetrical "T" Antenna is recommended if sufficient land is available. This antenna requires a plot of ground approximately 150 feet by 350 feet. The calculated range with the "T" Antenna and a 25 watt transmitter is 80 to 100 miles except over low conductivity ground. The standard "T" is electrically very similar to a 1000 pF capacitor in series with a small resistor.

90 Foot Symmetrical "T" Antenna System: P/N SLF10027.

Set of Two 90 Foot Steel Symmetrical "T" Antenna Supports: P/N SLF10031.