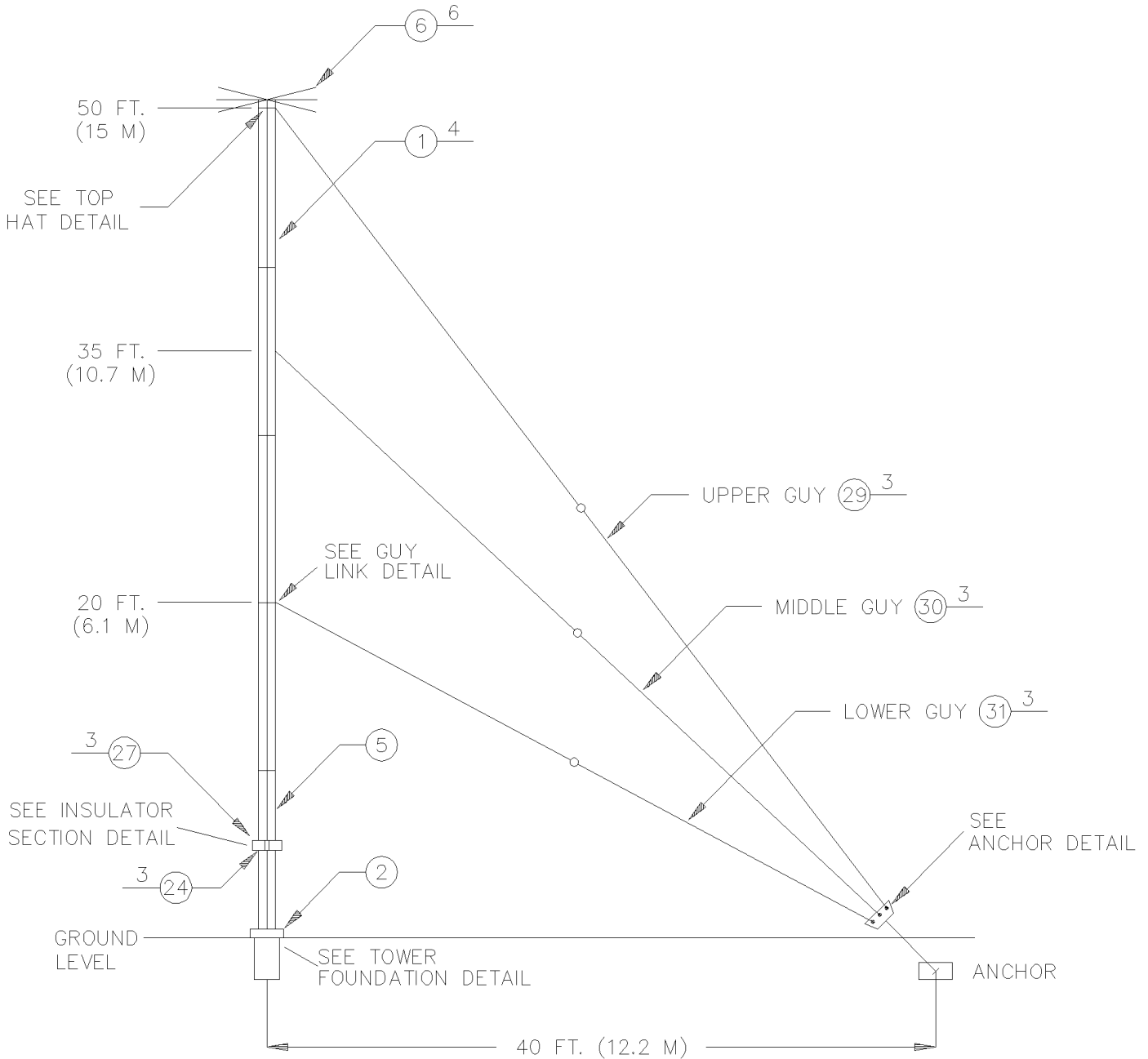




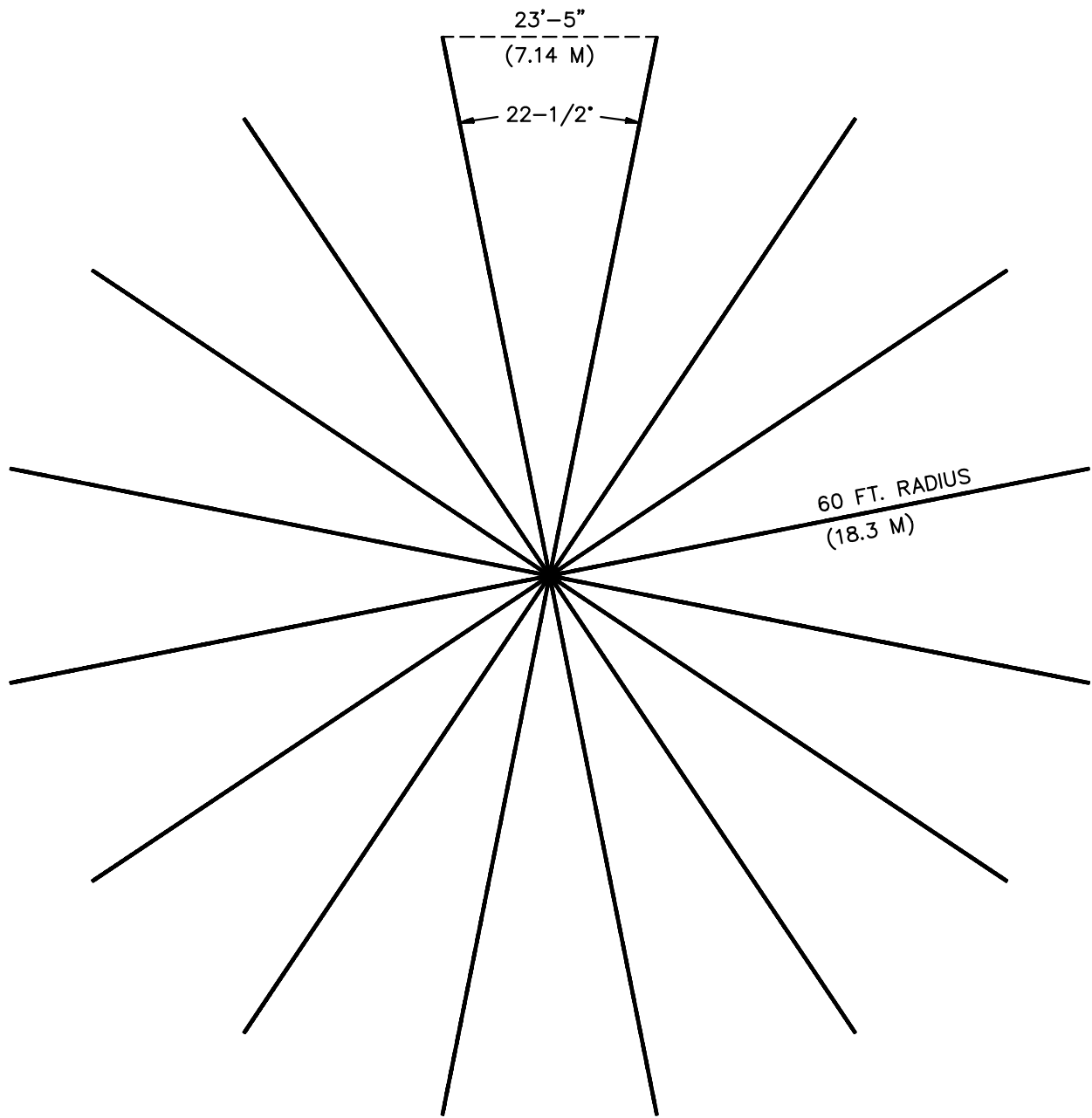
Southern Avionics® Company's High Wind 50 Foot Guyed Mast

Antenna

50 Foot Guyed Mast Antenna (High Wind): Consists of 50' (16M) of hot dipped galvanized triangular lattice tower. Includes two sets of insulated guy wire assemblies, earth anchors, and all associated hardware and tackle. The antenna system also includes a sixteen radial ground system with wire, ground rods, clamps and associated hardware. *Antenna is designed to withstand winds of 150 MPH.* P/N SLF10003.



- NOTES: 1. THIS DWG NO. 5164 REV. A.
 2. TITLE: ANCHOR-GUY LOCATION FOR 50' GUYED MAST HIGH WIND.



COUNTERPOISE